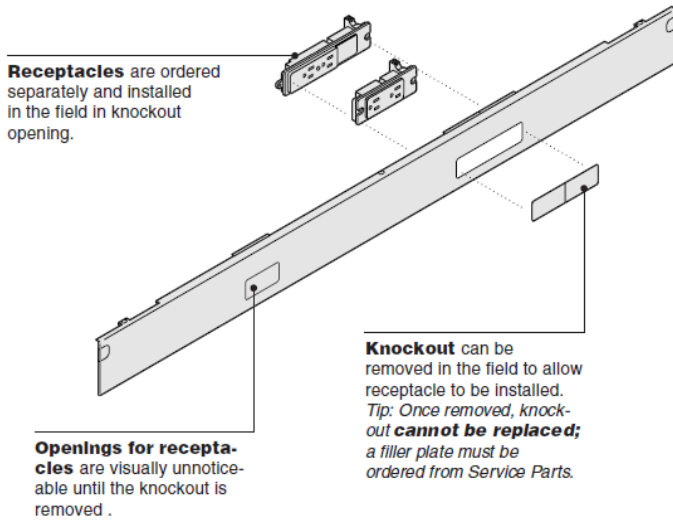


# gen<sup>2</sup> Avenir Base Covers and Receptacles



## Actual Dimensions

### Base cover

Width 17<sup>3</sup>/<sub>32</sub>" , 23<sup>3</sup>/<sub>32</sub>" , 29<sup>3</sup>/<sub>32</sub>" , 35<sup>3</sup>/<sub>32</sub>" , 41<sup>3</sup>/<sub>32</sub>" , 47<sup>3</sup>/<sub>32</sub>" , or 59<sup>2</sup>/<sub>64</sub>"

Height 3<sup>23</sup>/<sub>32</sub>"

### Receptacle opening

Width of left opening 2<sup>3</sup>/<sub>4</sub>"

Width of right opening 5<sup>1</sup>/<sub>4</sub>"

Height 1<sup>3</sup>/<sub>8</sub>"



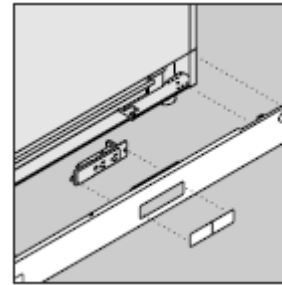
### Data Connection - Product Recommendation: Leviton CAT 49910-E14

**Brand Features** Leviton QuickPort Modular Furniture Faceplates with ID windows feature a designation window for a simple, more organized workstation identification. The faceplates accept QuickPort snap-in connectors and adapters to support a variety of voice/data applications in office environments.

**Item Description** QuickPort Modular Furniture Ext. Depth Faceplate, 4-Port, Ivory (includes 1 blank insert)  
**Features and Benefits**

- Standard and Extended-Depth modular furniture plates fit openings of approximately 1.38" x 2.63"
- Faceplates accept Leviton QuickPort snap-in connectors, including component rated Cat 5e, Cat 6, and Cat 6A connectors
- Provides for work area commercial-grade telephone and data patching
- Compact design · Meets ANSI/TIA-568-C.0 bend-radius requirements
- ID designation window included

## Product Details

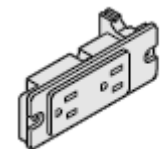


**Panels** are shipped with base covers that have receptacle knockouts.

**Base covers** have one standard-size opening on the left and a larger-size opening on the right. Exceptions: 24"W and 30"W base covers don't have enough space for two receptacles on each face, so they have a standard-size opening on one side of the panel and a larger-size opening on the reverse side. 18"W panels accommodate pass-through power only, so their base covers do not have receptacle knockouts.

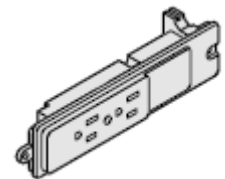
**Knockouts** cannot be accidentally removed by kicking them or striking them with a vacuum cleaner because the pressure to remove the knockout must be applied from the back of the panel. Once removed, knockout cannot be replaced.

**Reusable filler plates** are available to replace the knockout or to fill the gap that results when you use a standard-size receptacle in an oversized opening. Filler plates are available through Service Parts.



Standard size

**Duplex receptacles** are one of two sizes. Standard-size receptacles fit in the smaller-size openings (2-3/4"W x 1-3/8"H) of the base cover. The standard-size receptacles will also fit in the larger-size (5-1/4"W x 1-3/8"H) openings with a filler.



Larger size

**Oversized duplex receptacles** With two outlets will only fit in the larger-size opening of the base cover (5-1/4"W x 1-2/8"H) in 36"W through 60"W panels.

**NationalOffice**  
 Manufacturer of gen<sup>2</sup> Office Furniture