

# gen<sup>2</sup> Sliding Door - Avenir Installation Guide

## Materials:

### Door Frame

Painted: all paint grades

### Panel door insert:

Clear tempered glass

Grey tempered glass

Frosted acrylic

## Parts:

Sliding panel door with  
mounting hardware attached

Stainless steel threshold

Mounting screws (2) 3/16" allen

## Product Details:

The gen2 sliding door is handed and can be installed either on the outside or inside of host panel.

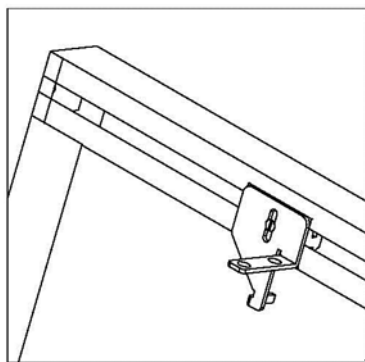
The sliding door is 1-1/2" thick and accommodates door openings of 36" and 42". The sliding door must match the height of the host panel 65" or 80".

The door slides along 2 wheels that ride on the ADA stainless steel threshold. The mounting bracket secures the sliding door to the host panel and also self adjust for uneven floors.

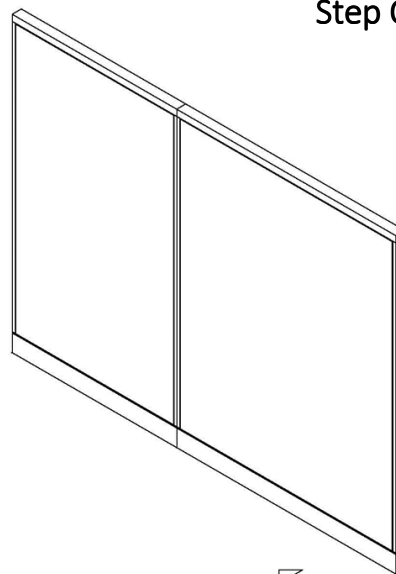
gen2 sliding door is available in locking and non-locking options.

## Step One:

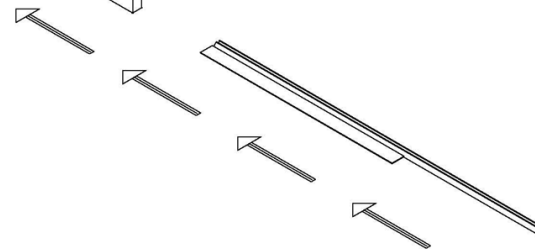
Place the threshold on the floor and install host panel on top of panel ledge lining it up with the end of the panel. The threshold will extend the length of the opening.



Self adjusting mounting bracket

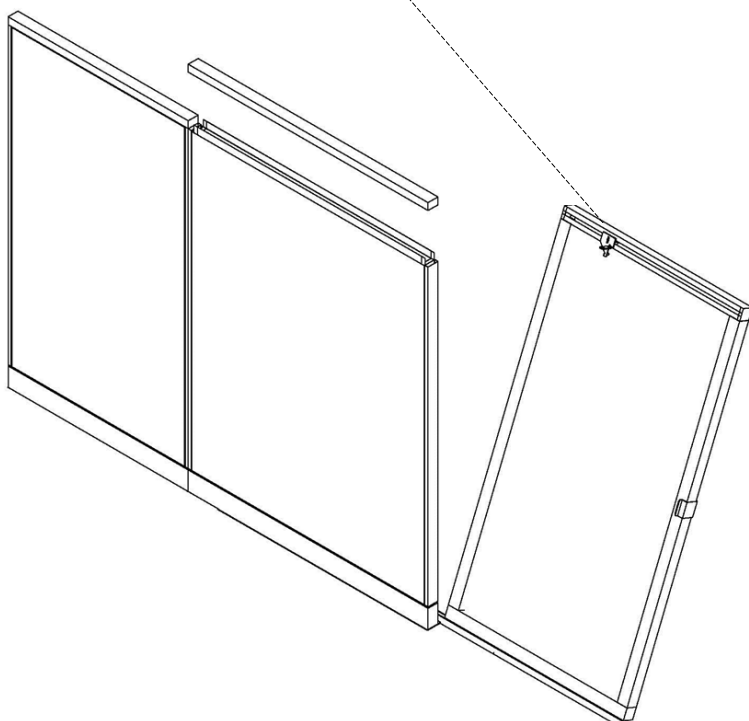


Right hand panel  
door shown



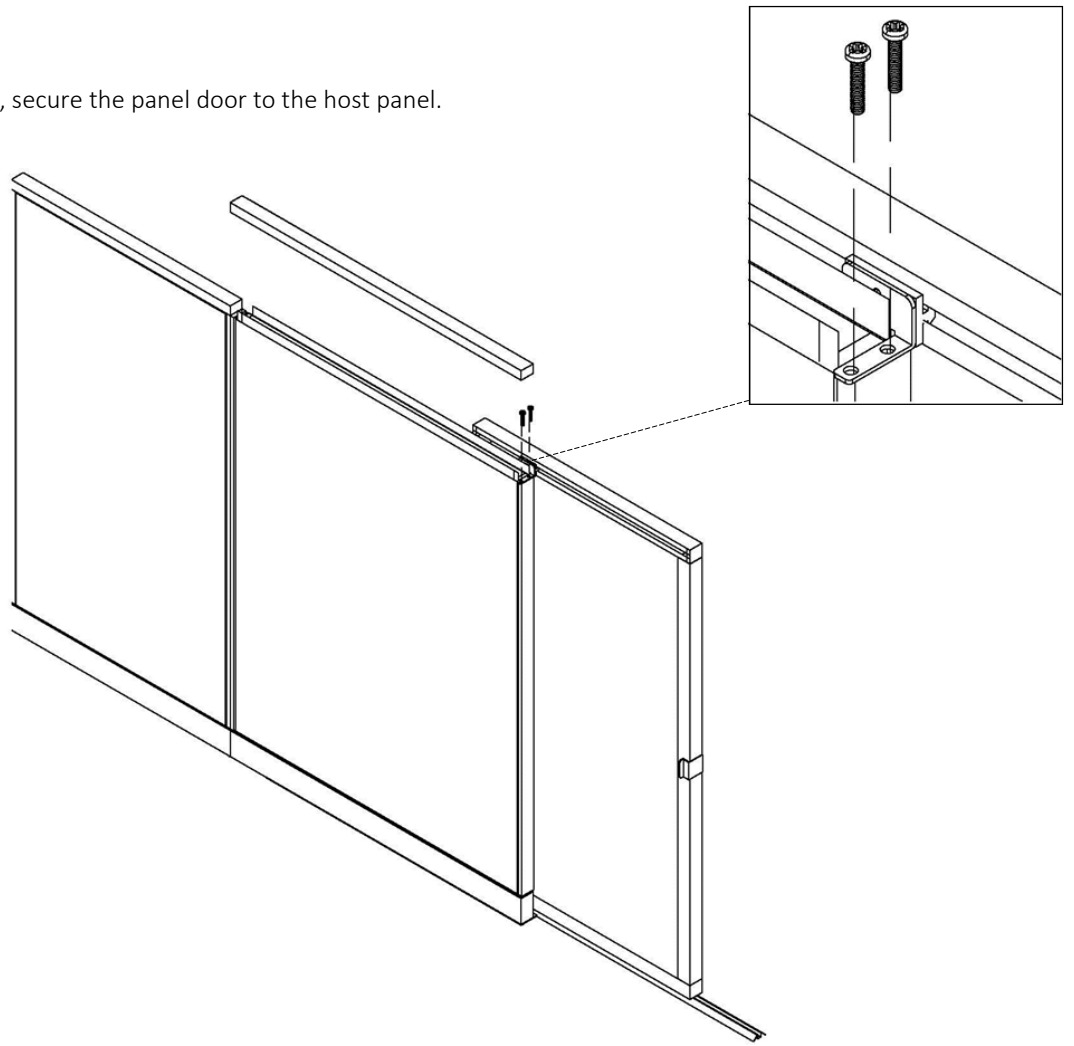
## Step Two:

With the top cap removed from the host panel,  
-set the door wheels in channel on threshold,  
-tilt the panel door up aligning the mounting bracket with the end of the panel.



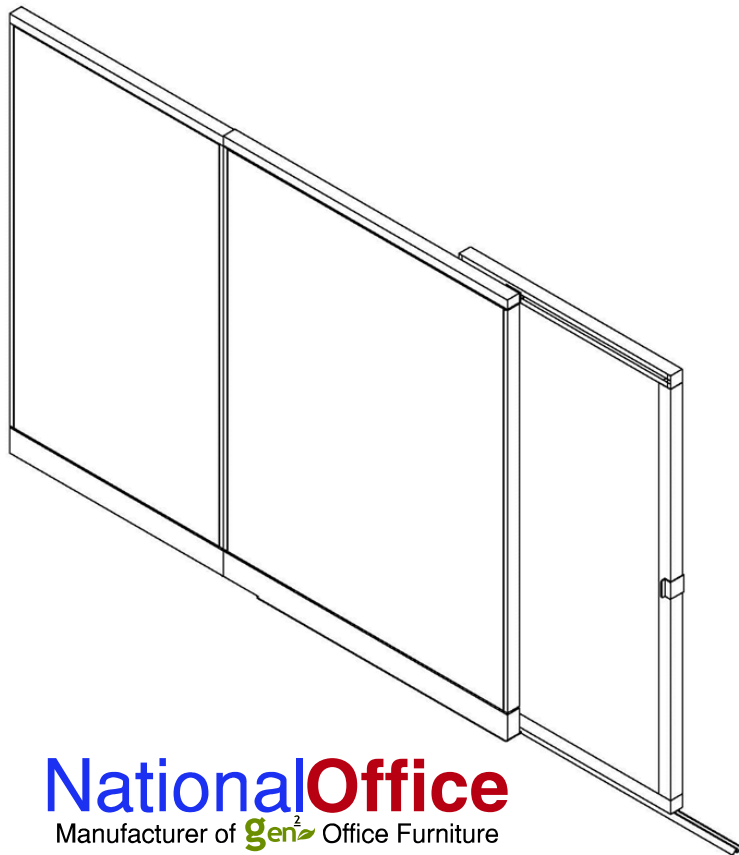
### Step Three:

Using 2—3/16" allen screws, secure the panel door to the host panel.



### Step Four:

With the door fully installed, slide door open and closed allowing the self adjusting mounting bracket to level out for any uneven floors. If more adjustment is needed, use the panel glide and adjust accordingly.



**NationalOffice**  
Manufacturer of **gen<sup>2</sup>** Office Furniture